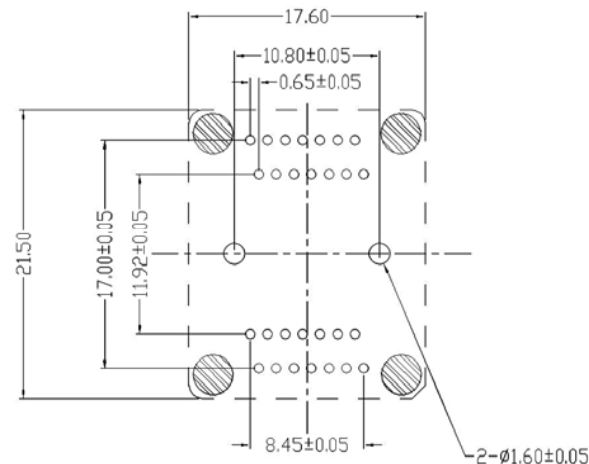
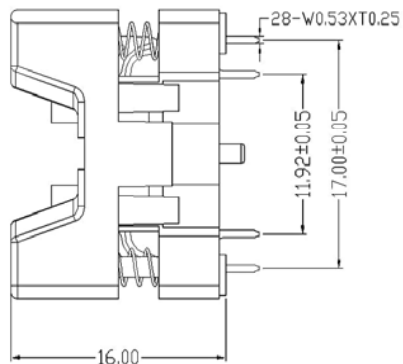
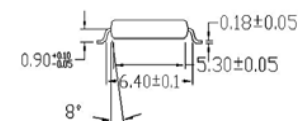
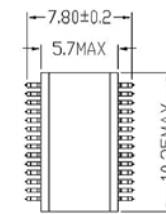
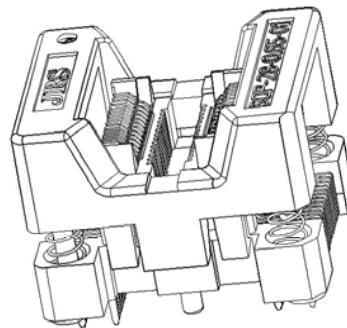
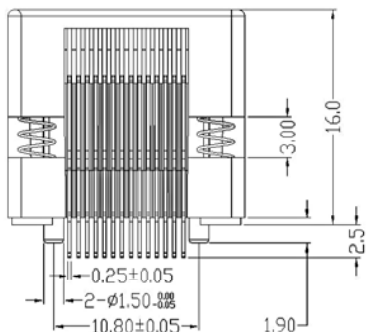


Insertion



PCB PATTERN (Top View)



APPL ICABLE IC

1. MATERIAL AND FINISH

- 1. SOCKET LID :PEI
- 2. SOCKET BASE :PEI
- 3. CONTACTS :BeCu,SELECTIVE Au-AuFLASH OVER NI PLATING
- 4. SPRINGS :STAINLESS STEEL ,PASSIVATED

2. PERFORMANCE

- 1. Insulation Resistance : 1000Mohm, Min.AT DC 500V
- 2. Dielectric Withstanding Voltage For 1 minute AT AC 700V
- 3. Contact Resistance 30mohm, MAX. at 10mA and 20mV MAX.(Initial)
- 4. Operation Temperature -65°C~+150°C
- 5. Contact Force 18g Per Pin (Normal)
- 6. Life Span 10,000 Times (Mechanical)
- 7. Operation Force 0.9 Kg MAX

△ C				DWG NO		PART NAME	SOP-28P-0.65-01
△ B				MATERIAL	SCALE	1:1	TITLE
△ A				QTY	UNIT	mm	
REV	DESCRIPTION	DATE	CHECK	SHEET	1 OF 1	REV	01
APPLICATION				APPROVE	DATE		
ANGLES	FINISH	ROUGH	ME	0.X:±0.1	CHECK	DATE	
ALL UNSPECIFIED CHAMFERS:CO.2				TRIC	0.XX:±0.05	DEGK	DATE
							20140709

